

Features

- Operating voltage:2.4-5.5V
- Operating current: 4.0uA/3V
- Low Voltage Reset (LVR)
- Built in special voltage stabilizing circuit for touch detection
- Key Response Time: 46mS
- AHLB pin selects the output level: Active level- high or Active level- low
- TOG pin selects the output mode: Direct output or Latch output
- Add a capacitor (0-50pF) to a touch key pin can fine tune the sensitivity for single key
- Max key on duration time
- After power-on have about 0.5S stable-time, during the time do not touch the key .
- Auto-calibration Function

- Package
DFN6L(2mm x 2mm PP=0.65mm)

1 General Description

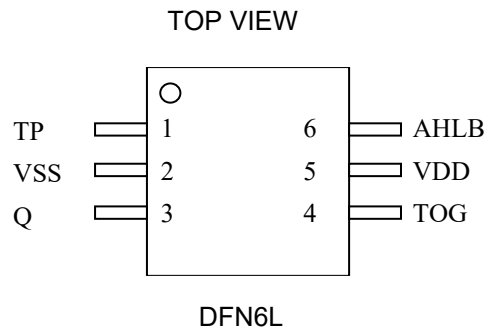
VKD233HS is a touch pad detector IC which offers 1 touch keys, It can detect human body contact using external touch pads. The high level of device integration enable applications to be implemented with a minimum number of external components.

It has 1 Output pin, the output level, output mode can be selected through IO pin. Built in special voltage stabilizing circuit for touch detection is also employed to reduce the possibility of false detections.

With auto-calibration, excellent resistance to voltage fluctuation and other features, this range of touch key devices provide a simple and effective means of implementing 1 touch key + IO operation in a wide variety of applications.

2 Pinouts and pin description

2.1 VKD233HS DFN6L Pin Assignment



2.2 VKD233HS DFN6L Pin Description

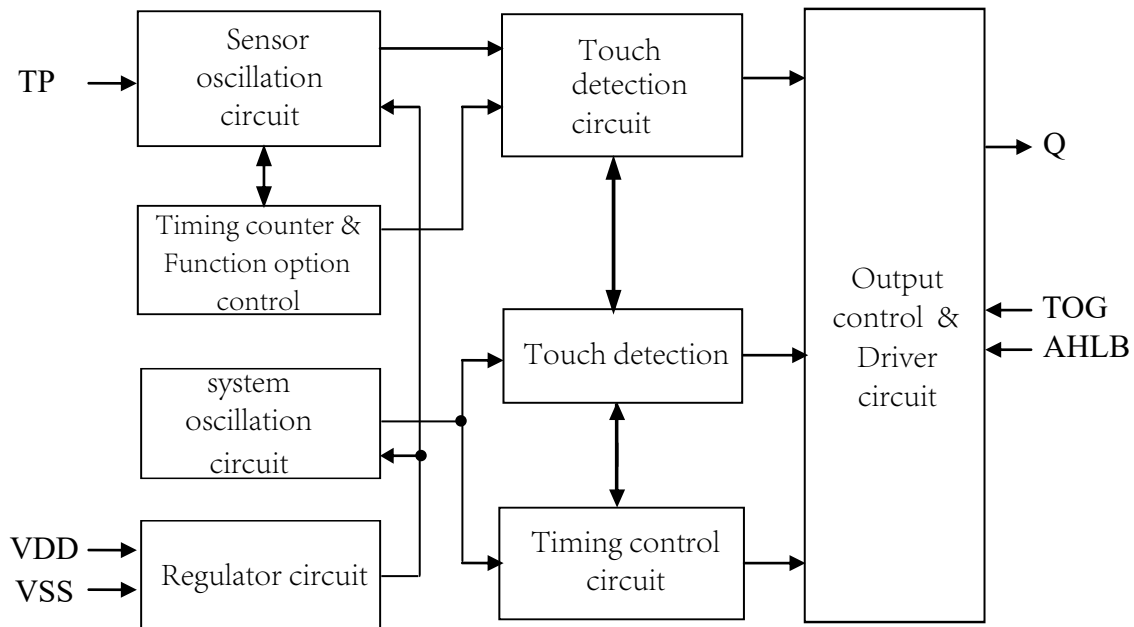
Pin No.	Pin name	I/O	Function Description
1	TP	IN	Touch key input pin, Add a capacitor (0-50pF) to a touch key pin can fine tune the sensitivity
2	VSS	VSS	Negative power supply
3	Q	OUT	Touch key output pin
4	TOG	IN—PL	Selects the output mode: 1->Latch output, 0->Direct output(default)
5	VDD	VDD	Positive power supply
6	AHLB	IN—PL	Selects the output level: 1->Active level- low, 0->Active level- high(default)

Notes:

IN—PL CMOS Input built-in pull-down resistor

3 Functional Description

3.1 Block diagram



3.2 Auto-calibration Function

After power on, the environmental change system automatically calibrates the reference value.

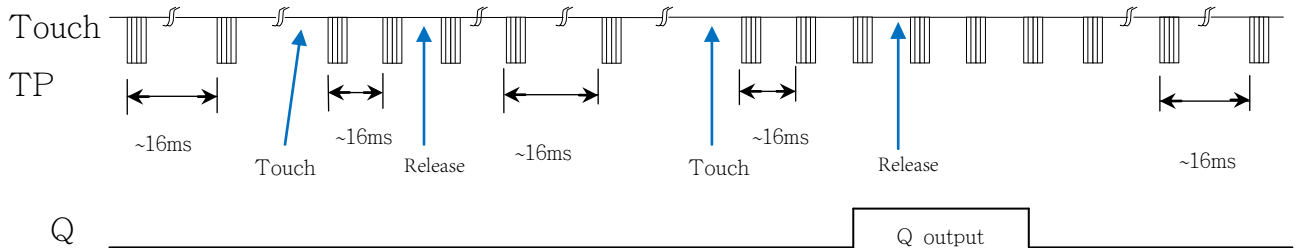
3.3 Output mode

VKD233HS output pin is Q, output function can be selected by input pin.

TOG	AHLB	Output Function
NC	NC	CMOS direct output, active level- high
NC	VDD	CMOS direct output, active level- low
VDD	NC	CMOS latch output, power-on output 0
VDD	VDD	CMOS latch output, power-on output 1

3.4 Operating modes

VKD233HS works in fast mode, the response speed is faster, the fastest response time is about 46mS@3V



3.5 Max Key On Duration Time

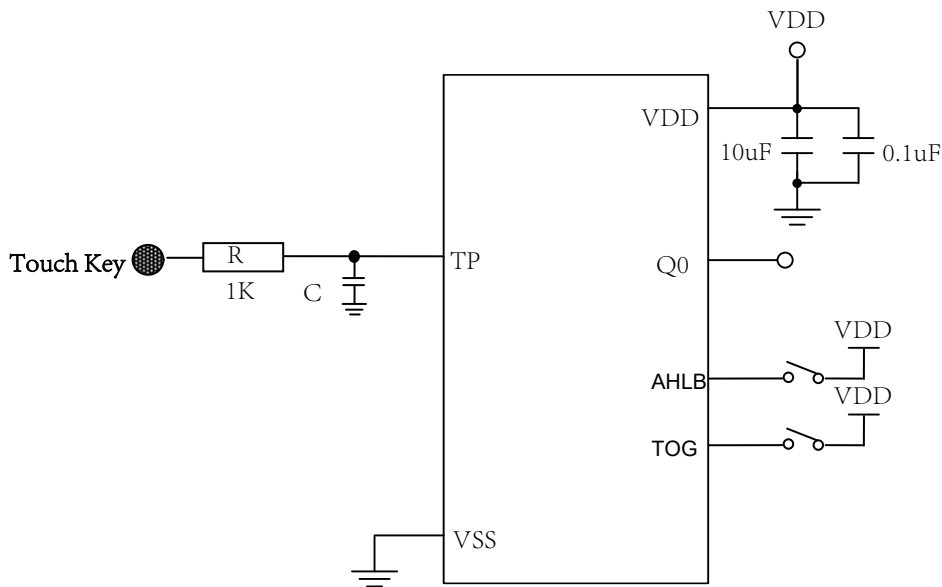
To minimise the possibility of unintentional switch detections, such as undesired objects covering the sensing electrodes, the devices include a Maximum Key On duration time function. To implement this function the devices include an internal timer, which starts running after each switch detection. If the key on time of a touch key exceeds a value of about 16S, then the device will re-calibrate the key state, obtain a new reference value, while the output status is reset to the initial state.

3.6 Sensitivity Adjustment

The touch PAD size and capacitance of connecting line on PCB can affect the sensitivity. The sensitivity adjustment must according to the practical application on PCB. The VKD233HS offers some methods for adjusting the sensitivity outside:

- I. Touch PAD Size
Under other conditions are fixed. Using a larger Touch PAD size can increase sensitivity. Otherwise it can decrease sensitivity. But the touch PAD size must use in the effective scope.
- II. Panel Thickness
Under other conditions are fixed. Using a thinner panel can increase sensitivity. Otherwise it can decrease sensitivity. But the panel thickness must be below the maximum value.
- III. Capacitor to a touch key pin
Add a capacitor (0-50pF(NPO,X7R)) to a touch key can fine tune the sensitivity for single key, When adding the value of capacitor will decrease sensitivity

4 Application Circuits



Precautions:

1. On the PCB, the wire length from the touch pad to the IC pin should be as short as possible. And this wiring shall not be parallel or cross with other lines.
2. The power supply must be stable. If the voltage of the power supply drifts or drifts or shifts rapidly, it may cause abnormal sensitivity or false detection.
3. The board covered on the PCB must not contain metal or conductive components, and the surface coating is the same.
4. A capacitor must be connected in series between VDD and VSS; and the wiring with the shortest distance from the VDD and VSS pins of the device IC should be taken.

5 Electrical characteristics

5.1 Absolute Maximum Ratings

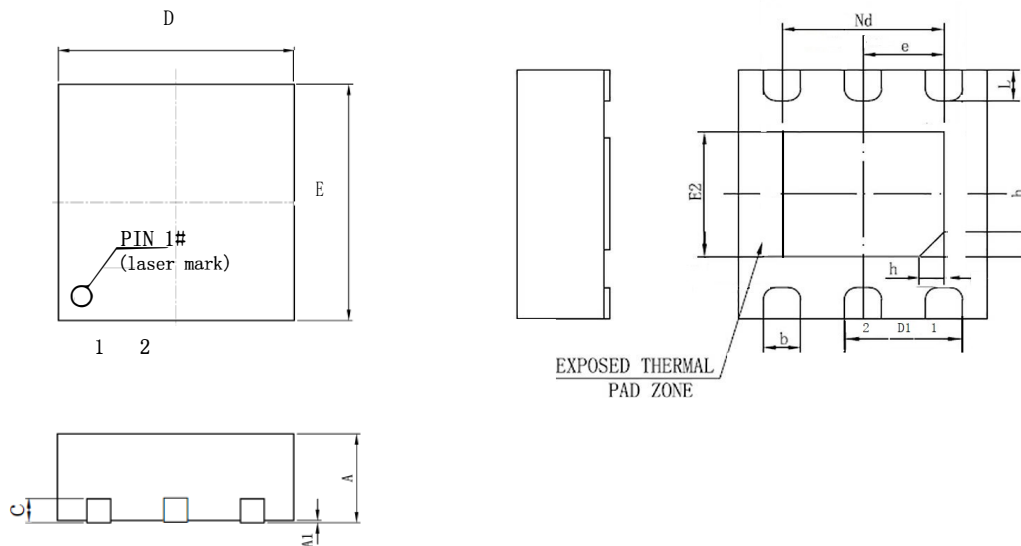
Item	Symbol	Ratings	Unit
Power voltage	VDD	-0.3~6.0	V
Input Voltage	VIN	$V_{SS}-0.3 \sim V_{DD}+0.3$	V
Storage Temperature	TSTG	-50~+125	°C
Operating Temperature	TOTG	-40~+85	°C
Human Body Mode	ESD	≥ 4	KV

5.2 DC Characteristics

Item	Symbol	Min.	Typ.	Max	Unit	Test Conditions (25 °C)	
						VDD	Conditions
Operating voltage	VDD	2.4	3.0	5.5	V	—	—
Internal voltage regulator	VREG	2.2	2.3	2.4	V	—	—
Operating current	I _{OP}	—	4.0	8.0	μA	3.0V	—
Output Sink Current	I _{IL}	—	8	—	mA	3.0V	V _{OL} =0.6V
		—	16	—		5.0V	
Output Source Current	I _{OL}	—	-4	—	mA	3.0V	V _{OH} =2.4V
		—	-8	—		5.0V	V _{OH} =4.4V
Input Low Voltage	V _{IL}	—	—	0.2	VDD	VDD	Input Low Voltage
Input High Voltage	V _{IH}	0.8	—	1	VDD	VDD	Input High Voltage
Input pull-low resistor	R _{PL}	—	25k	—	ohm	3.0V	VDD=3V
Output Response Time	T _R	—	46	—	mS	3.0V	—
		—	46	—		5.0V	—

6 Package Information

6.1 DFN6L(2mm x2mm PP=0.65mm):



SYMBOL	MILLIMETER		
	MIN	NOM	MAX
A	0.70	0.75	0.80
A1	---	0.02	0.05
b	0.25	0.30	0.35
C	0203REF		
D	1.90	2.00	2.10
D1	0.85	0.90	0.95
e	0.65BSC		
Nd	1.30BSC		
E	1.90	2.00	2.10
E2	0.95	1.00	1.05
L	0.20	0.25	0.30
h	0.25REF		

7 Revision history

No.	Version	Date	Modify the content	Check
1	1.0	2019-12-10	Original version	Yes
2	1.1	2020-05-11	Update version	Yes

Disclaimers

Information in this document is believed to be accurate and reliable. However, VinKa does not give any representations or warranties, expressed or implied, as to the accuracy or completeness of such information. VinKa reserves the right to make changes to information published in this document, including without limitation specifications and product descriptions, at any time and without notice. This document supersedes and replaces all information supplied prior to the publication hereof. For the latest information, please visit <https://www.szvinka.com> Or contact VinKa's staff.